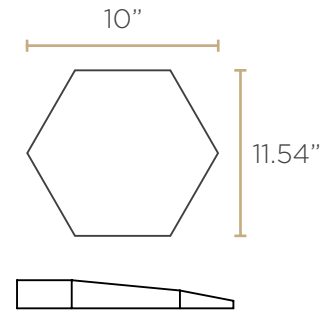
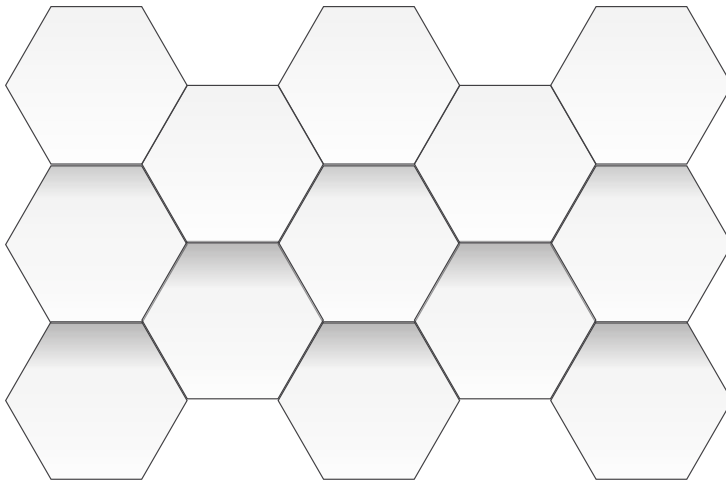


VERTICAL ILLUSION

Architectural
HANDBOOK
WWW.VERTICALILLUSION.COM

2514 E Mohawak Lane Suite 101 Phoenix, AZ 85050
(602) 944-9494



Product Specifications

- > **COVERAGE/TILE**
.60 sf
- > **THICKNESS**
7/16" to 1.5"
- > **WEIGHT/CASE**
24 lbs
- > **COVERAGE/CASE**
16.8 sf
- > **WEIGHT/TILE**
1 lb
- > **INSTALLATION**
For best results, download installation instructions at verticalillusion.com
- > **TILE SIZE**
10" x 11.54"
- > **TILE/CASE**
28

Product Colors

- > We offer a wide variety of additional colors and features. Proudly manufactured Dackor, Synergy and OMNOVA.

PRODUCT SAMPLE DISCLAIMER

Created to be a one-of-a-kind piece of nature's artistry, each and every Vertical Illusion® product carries distinct variations in finish, patina, texture, grain and overall character that create the unique diversity and natural elegance of our wall coverings. It is virtually impossible to capture - in a small sample - the entire range of color variation and character that will be present in the wall covering you will receive. To better understand the unique look of a Vertical Illusion finished wall covering in your space, we recommend consulting your sales representative for more details.

INSTALLATION AND PERFORMANCE DISCLAIMER

Environmental conditions, such as exposure to light, and fluctuations in temperature and humidity, will greatly affect product performance from initial installation throughout its life. Refer to our website for installation guidelines or see your local sales representative for more information on proper steps and specific environmental conditions to successfully install, care for and ensure the lifelong performance of your wall covering.

Recommendations

The following are guidelines and recommendations to keep your VI walls beautiful. Our pre-finished products use the highest quality 3D laminate material that creates the illusion of reality. Our State of the Art Laminating process results in a seamless surface that looks real but is extremely resistant to chipping, cracking and most household chemicals. For easy cleanup, just wipe with a damp cloth and a mild detergent.

Clean all spills immediately using a soft cloth and clear water. The surface resists many common household substances, and most will wipe clean with a damp cloth or sponge.

Remove oil, grease, or other general soil that does not respond to water alone with a non-abrasive cleaner. Tough stains may be cleaned using a soft cloth dampened with a “409” or “Simple Green” type cleanser. However, cleaners with acetone, ethyl alcohol or mineral oils should not be used.

Do not use harsh detergents, abrasive cleaners, or bleach, as these substances can damage the laminate surface and impair its protective qualities.

Do not use your dishcloth to clean or dry the product. It may contain remnants of detergents and grease.

Do not wax or polish the finish surface.

A spray type furniture polish may be used after cleaning to remove any streaking and enhance the color of the finish, especially wood grains.

Keep VI products out of direct sunlight or close curtains during the sunniest part of the day. Direct sunlight will cause the finish to lighten or darken over time.

Avoid exposing the products to very hot environments (130 degree F max). Extreme heat can cause the finish to delaminate or peel.

Thank you for your interest in the products and services of Vertical Illusion, LLC (Vertical Illusion).

This Limited Warranty applies to physical goods, and only for physical goods, purchased from Vertical Illusion (the "Physical Goods"). The Limited Warranty follows the product for a period of 1 year from the original date of purchase, regardless of when the product is installed.

What does this limited warranty cover?

Our Limited Warranty covers any defects in material or workmanship under normal use during the Warranty Period. Vertical Illusion will repair or replace, at no charge, products or parts of a product that prove defective because of improper material or workmanship, under normal use and maintenance. The Limited Warranty will be void in the event the product was not installed according to our installation guidelines.

This Limited Warranty is transferable, but still applies from the date of the original purchase.

What will we do to correct problems?

If a Product is found defective, Vertical Illusion, LLC will replace the Product at no charge. Replacement Product will be shipped in the same manner as the original purchase.

How long does the coverage last?

The Warranty Period for Physical Goods purchased from Vertical Illusion, LLC is 1 Year from the date of purchase. A replacement Physical Good or part assumes the remaining warranty of the original Physical Good or 1 Year from the date of replacement or repair, whichever is longer.

What does this limited warranty not cover?

This Limited Warranty does not cover any problem that is caused by:

Conditions, malfunctions or damage not resulting from defects in material or workmanship
Conditions, malfunctions or damage resulting from negligence, improper installation or maintenance.

Vertical Illusion, LLC will pay for shipping charges on replacement parts.

Provided Vertical Illusion ships the order, VI shall assume all risk of damage to the Physical Goods while in transit to our customer. VI assumes no liability for damage in transit if shipment is not arranged by VI.

What do you have to do?

To obtain warranty service, you must obtain a Return Merchant Authorization (RMA) number and instructions on how to return a product by contacting us. Deliver the Physical Goods, in either its original packaging or comparable packaging, including any accessories or documents that shipped with the Physical Goods to the address specified by Vertical Illusion, LLC. To obtain the Return Merchant Authorization (RMA) number, you can contact us by any of the following contact methods: email: claims@verticalillusion.com

Implied Warranties

EXCEPT TO THE EXTENT PROHIBITED BY APPLICABLE LAW, ALL IMPLIED WARRANTIES (INCLUDING WARRANTIES OF MERCHANTABILITY AND FITNESS FOR A PARTICULAR PURPOSE) SHALL BE LIMITED IN DURATION TO THE DURATION OF THIS LIMITED WARRANTY.

Limitation of Damages

EXCEPT TO THE EXTENT PROHIBITED BY APPLICABLE LAW, Vertical Illusion, LLC SHALL NOT BE LIABLE FOR ANY INCIDENTAL, INDIRECT, SPECIAL, OR CONSEQUENTIAL DAMAGES RESULTING FROM ANY BREACH OF EXPRESS OR IMPLIED WARRANTY OR CONDITION, OR UNDER ANY OTHER LEGAL THEORY.

Consumer Protection

Some states do not allow the exclusion or limitation of incidental or consequential damages, or allow limitations on how long an implied warranty lasts, so the above limitations or exclusions may not apply to you. This warranty gives you specific legal rights, and you may also have other rights that vary by state to state.

Governing Law

This Limited Warranty shall be governed by the laws of Arizona, United States without giving effect to any conflict of laws principles that may provide the application of the law of another jurisdiction.

Vertical Illusion, LLC
2514 East Mohawk Lane Suite #101
Phoenix, Arizona 85050
Phone: 602-788-0662
Email: info@verticalillusion.com

1. Product Identification
 - a. Rigid polyurethane decorative part by Vertical Illusion
2. Hazards Identification
 - a. Primary routes of entry include: inhalation, skin contact, eye contact or ingestion
 - b. Medical conditions aggravated by exposure: respiratory disorders
3. Human Effects and Symptoms of Overexposure
 - a. Skin - contact with moist skin may produce some very slight irritation due to alkalinity and/or mechanical irritation
 - b. Eye - dust may cause mechanical irritation
 - c. General Effects of Exposure - repeated or prolonged eye and/or skin contact with dust generated from part when cutting may produce a dehydrating effect
 - d. Carcinogenicity - no carcinogenic substances as defined by iarc, ntp and/or osha
4. First Aid Measures
 - a. Eye Contact - in case of contact with dust from this product, flush eyes with plenty of lukewarm water. Get medical attention if irritation develops.
 - b. Skin Contact - get medical attention if irritation develops.
 - c. Inhalation - move to fresh air in case of accidental inhalation of dust or fumes from overheating or combustion. Get medical attention if irritation develops.
 - d. Ingestion - if ingested, do not induce vomiting unless directed to do so by medical personnel. Get medical attention.
5. Fire Fighting Measures
 - a. Suitable Extinguishing Media - water, foam, dry chemical
6. Handling and Storage
 - a. Avoid creating dust, wash thoroughly after handling
 - b. Keep away from heat, sparks and open flames
7. Exposure Controls - personal protection
 - a. Industrial Hygiene/Ventilation Measures - none required under normal conditions of use. During cutting/sanding, local exhaust ventilation should be used to maintain the dust levels below the exposure limit for nuisance particulates.
 - b. Respiratory Protection - none required under normal conditions of use. During cutting/sanding, a respirator may be used to control nuisance dust inhalation. Any time nuisance dust standards are exceeded a particulate respirator is required.
 - c. Hand Protection - none required under normal conditions of use. Those with sensitive skin should use canvas or cloth gloves.
 - d. Eye Protection - safety glasses with side-shields
 - e. Skin and Body Protection - none required under normal handling and use.
 - f. Additional Protective Measures - after install, wash hands and face before eating, drinking or using tobacco products. Educate and train employees in the safe use and handling of this product.
8. Physical and Chemical Properties
 - a. Form Solid
 - b. Color Characteristic
 - c. Odor Not Applicable
 - d. PH Not Applicable
 - e. Boiling Point Not Applicable
 - f. Flash Point Not Applicable
 - g. Solubility in Water Insoluble
9. Stability and Reactivity
 - a. Hazardous Reactions Hazardous polymerization does not occur
 - b. Stability Stable
 - c. Material to Avoid None Known
 - d. Conditions to Avoid None Known
10. Disposal Considerations
 - a. Waste disposal should be in accordance with existing federal, state and local environmental control laws.
11. Regulatory Information
 - a. OSHA HAZCOM Standard Rating - Non Hazardous
 - b. US EPA CERCLA Hazardous Substance - None
 - c. SARA Section 311-312 - Non Hazardous
 - d. California Prop 65 - to the best of our knowledge, this product does not contain any of the listed chemicals, which the state of California has found to cause cancer, birth defects or other reproductive harm.